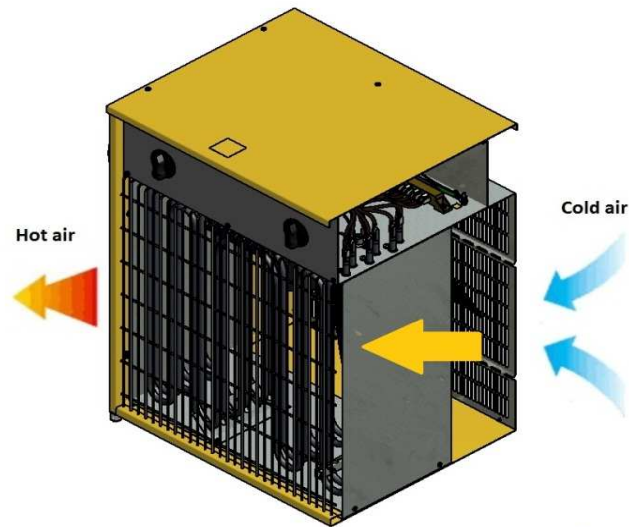


ELECTRIC FAN HEATER

B22 EPB



FUNCTIONING PRINCIPLES



The device works on the principle of forced convection. The air flow is forced fan. Cold air is drawn in the back of the unit. Further, when flowing from the heater, it receives heat. The heated air is expelled in front of the heater. The device has a thermostat for the regulation of temperatures 5-35 °C. The unit area equipped with thermal protection is acting automatically. The unit features: ventilation, heating with half the power, heating at full power. The device has a cooling thermostat.

TECHNICAL DATA

Max capacity	kW	22	Power supply	V	400	
	Kcal/h	18920		Frequency	Hz	50
	Btu/h	75067			Rated current	A
Combustible	Power					
Net weight	kg	20				
Gross weight	kg	22,8				
Noisy level	dBa	71				
Air displacement	m ³ /h	2400				

PACKING

Dimensions packing	mm	380x550x630
Dimensions utilization	mm	350x540x590
Pieces for Euro-pallet	n°	12
Pieces per truck 80m ³	n°	396

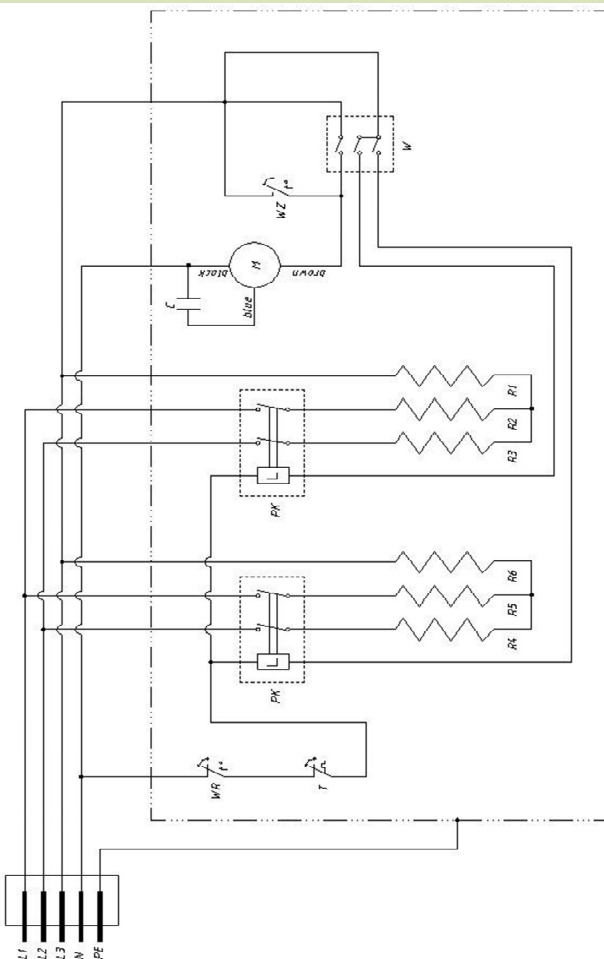
COMPONENTS

Heating elements	3666W
Thermostat	With capillary
Fan	Ø 350mm
Thermal protection	80°C
Cooling Thermostat	60°C
Przełącznik	25A
Motor	Asynchronous, monophas, with thermal protection, clockwise rotation, 1380rpm

ACCESSORIES

Supply conductor	5m
Supply conductor	10m

WIRING DIAGRAM



L	:	Phase
N	:	Neutral
WR	:	Thermal cut-out
WZ	:	Room thermostat
R1	:	Heating element
R2	:	Heating element
R3	:	Heating element
R4	:	Heating element
R5	:	Heating element
R6	:	Heating element
T	:	Thermostat
M	:	Motor
C	:	Capacitor
PK	:	Relay